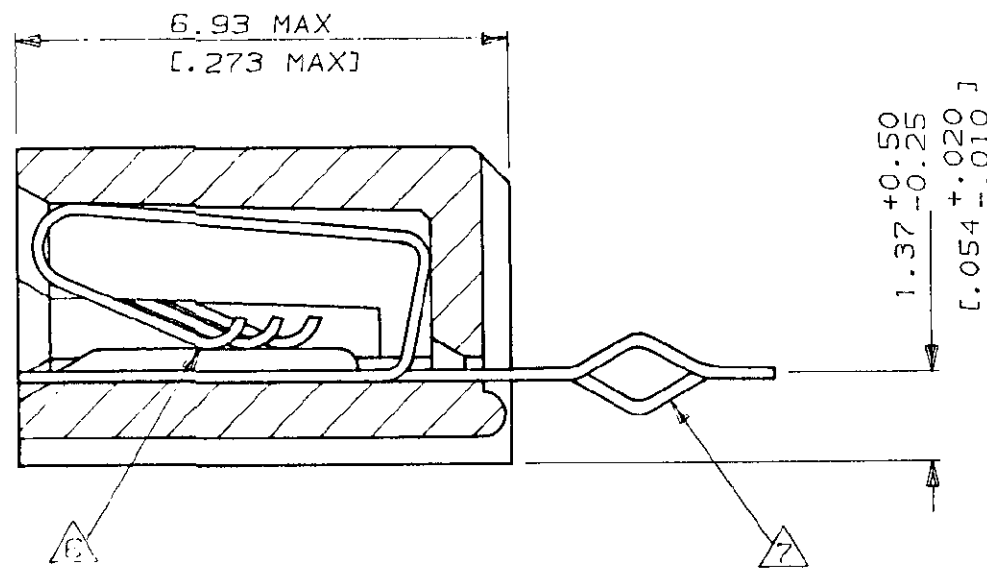
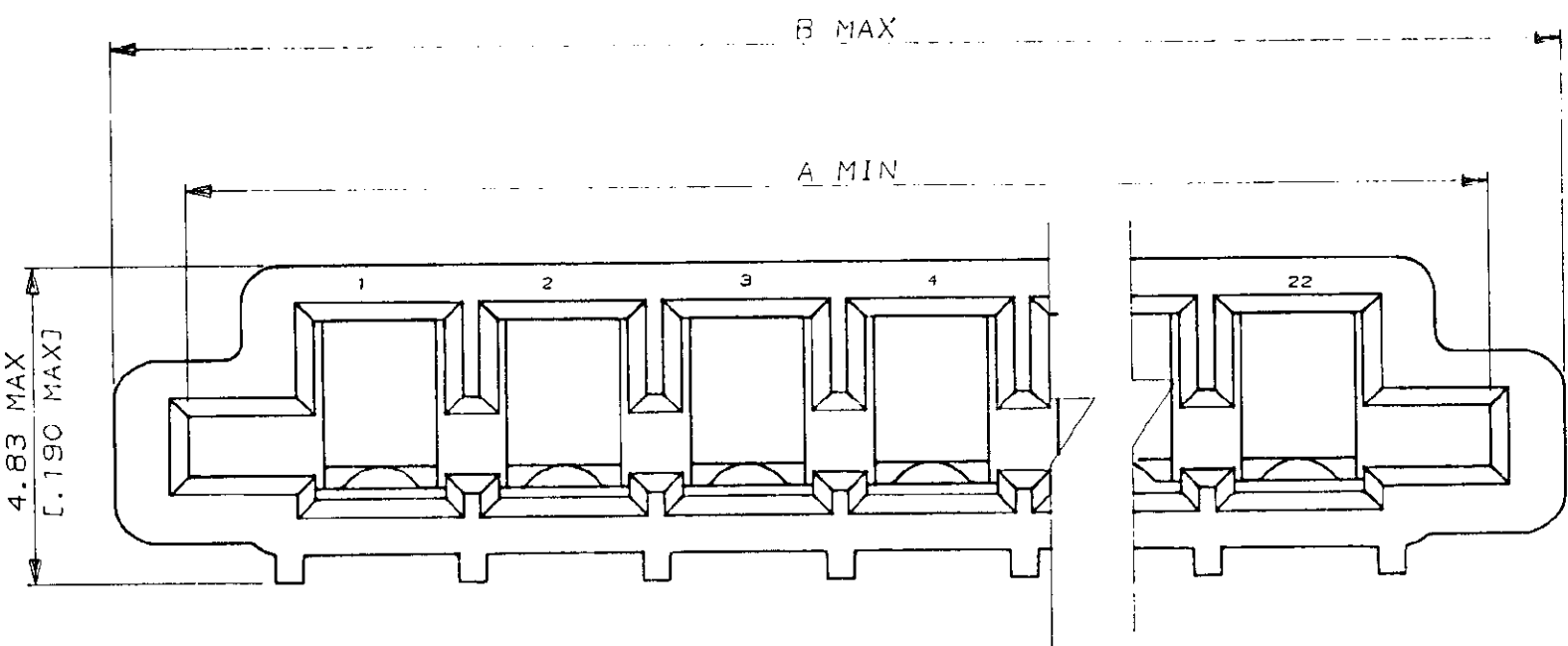


520315

NUMBER

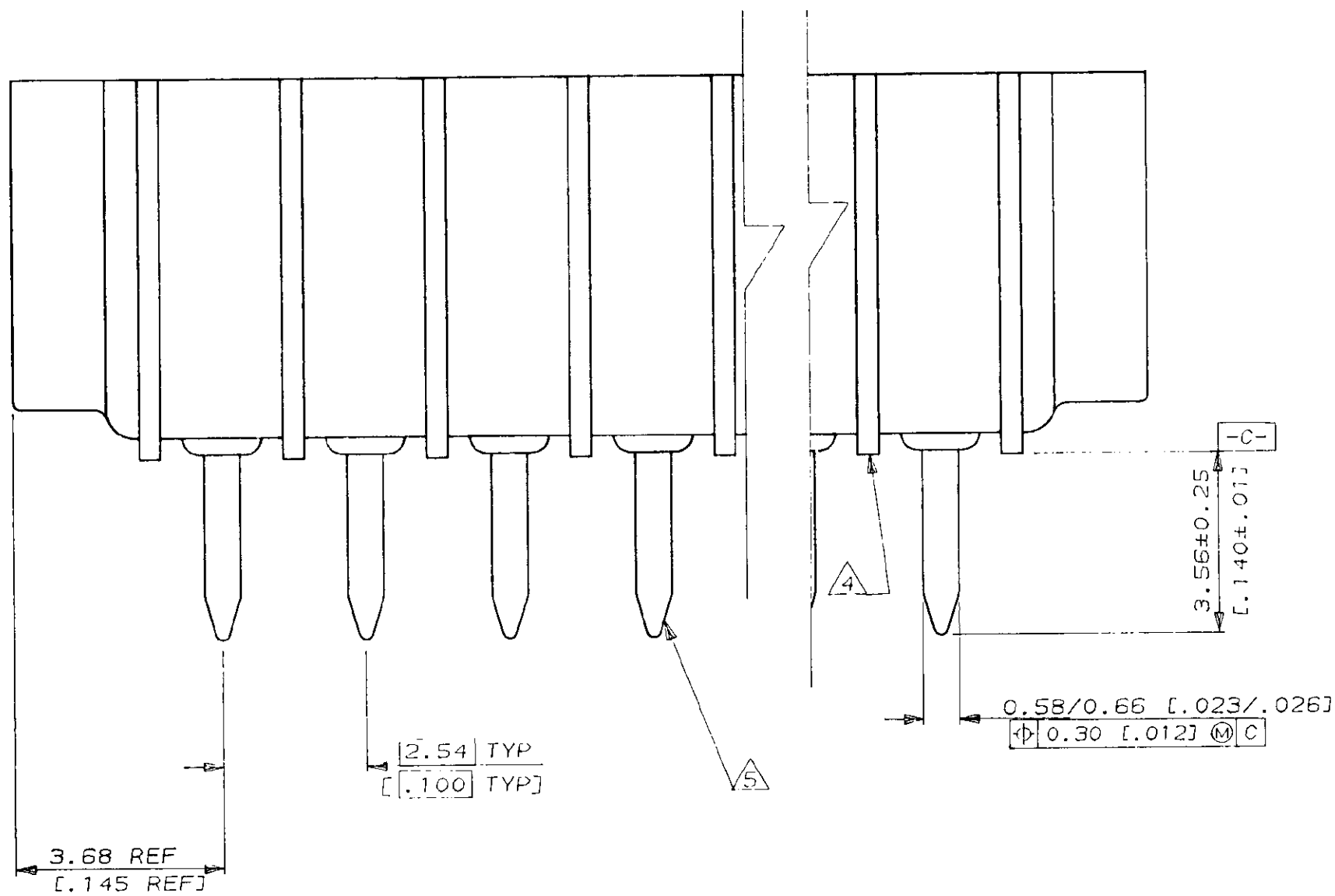
(3rd ANGLE PROJECTION)

METRIC



NOTES

- △ MATERIAL  
HOUSING : GLASS REINFORCED POLYESTER  
THERMOPLASTIC UL 94 VO RATED, BLACK  
CONTACT : PHOS BRONZE
- △ CONTACTS, MATTE TIN PLATED
- 3 CONNECTOR WILL ACCEPT FLEXIBLE PRINTED CIRCUIT OR FLAT FLEXIBLE CABLE ON 2.54 [1.00] CENTERS IN A THICKNESS RANGE OF 0.127 TO 0.381 [0.005 TO .015] IN CONTACT AREA
- △ STAND-OFFS PREVENT SOLVENT ENTRAPMENT
- △ LEAD-IN ON PINS FOR EASE OF INSERTION INTO BOARD
- △ SEQUENTIAL CONTACTS REDUCE CABLE INSERTION FORCE
- △ ALTERNATING CONTACT FORM RETAINS CONNECTOR IN P.C. BOARD DURING SOLDER OPERATION
- 8 ACCEPTS CABLE OR CIRCUITRY WITH EXPOSED CONDUCTORS FACING TOWARD OR AWAY FROM THE BOARD SURFACE
- 9 REFER TO APPLICATION SPEC 114-2062



LEAD FREE				OBSOLETE	
7- 520315-2	60.78 [2.393]	58.62 [2.308]	22	2-520315-2	
7- 520315-1	58.24 [2.293]	56.08 [2.208]	21	2-520315-1	
7- 520315-0	55.70 [2.193]	53.54 [2.108]	20	2-520315-0	
6- 520315-9	53.16 [2.093]	51.00 [2.008]	19	1-520315-9	
6- 520315-8	50.62 [1.993]	48.46 [1.908]	18	1-520315-8	
6- 520315-7	48.08 [1.893]	45.92 [1.808]	17	1-520315-7	
6- 520315-6	45.54 [1.793]	43.38 [1.708]	16	1-520315-6	
6- 520315-5	43.00 [1.693]	40.84 [1.608]	15	1-520315-5	
6- 520315-4	40.46 [1.593]	38.30 [1.508]	14	1-520315-4	
6- 520315-3	37.92 [1.493]	35.76 [1.408]	13	1-520315-3	
6- 520315-2	35.38 [1.393]	33.22 [1.308]	12	1-520315-2	
6- 520315-1	32.84 [1.293]	30.68 [1.208]	11	1-520315-1	
6- 520315-0	30.30 [1.193]	28.14 [1.108]	10	1-520315-0	
5- 520315-9	27.76 [1.093]	25.60 [1.008]	9	520315-9	
5- 520315-8	25.22 [.993]	23.06 [.908]	8	520315-8	
5- 520315-7	22.68 [.893]	20.52 [.808]	7	520315-7	
5- 520315-6	20.14 [.793]	17.98 [.708]	6	520315-6	
5- 520315-5	17.60 [.693]	15.44 [.608]	5	520315-5	
5- 520315-4	15.06 [.593]	12.90 [.508]	4	520315-4	
5- 520315-3	12.52 [.493]	10.36 [.408]	3	520315-3	
5- 520315-2	9.98 [.393]	7.82 [.308]	2	520315-2	

PART NO		B	A	POS	PART NO
Copyright ©1993		Copyright ©1993		AMP MANUFACTURING (S) PRIVATE LIMITED	
U2	REVISED ECR-06-004332	PM	KS	21FEB93	(WIRE RANGE)
U1	REVISED FR00-0002-05	SD	PCH	22DEC93	(INSULATION DIA.)
U	REVISED FR00-0011-04	SD	PCH	09FEB94	(MATERIAL)
T	REVISED DY/EC/0799	LWY	SL	18.7.93	(FINISH)
S	REDRAWN DY/EC/0682	RT	LHM	12.4.83	(NAME)
LTR	(REVISION RECORD)	DR	CHK	DATE	TRIO-MATE

(CUSTOMER DRAWING)

DIMENSIONS IN MM (INCHES). DO NOT SCALE PRINT

PRINT DIST

AMP-1 REV.10/83